



MINIMAAL EN MOOI
HOUTWERKE



Countertop Installation Guideline

minimaalenmooi.com



INTRODUCTION

Our step-by-step approach to installing wooden countertops securely and in compliance with our warranty requirements and industry best practices.

Both DIY enthusiasts and professional installers will find the instructions easy to follow.





TOOLS AND MATERIALS NEEDED:

- Drill with a drill bit. (size depends on the fastener diameter)
- Screwdriver or impact driver.
- Tape measure.
- Fasteners with Flat washers. (not included)
- Spirit Level.
- Shims (if required for leveling, not included).
- Safety equipment: gloves and safety glasses.
- Pencil or marker for marking.
- Wood filler (optional, for finishing touchups on joints, not included).
- Vacuum, cleaning cloths and cleaning supplies.
- Silicone Gun.
- Mould Resistant Silicone suitable for kitchen or bathroom environments. (not included)
- Food-Safe Mineral Oil or Appropriate Wood Finish: For treating the countertop surface.
- Fine-Grit Sandpaper: For smoothing surfaces and edges.

Please note: This list includes the basic requirements for installing one of our ready-to-install countertops. Since our countertops are precision-cut to client specifications, additional tools may be required for custom fits or if any adjustments are necessary due to measurement discrepancies.





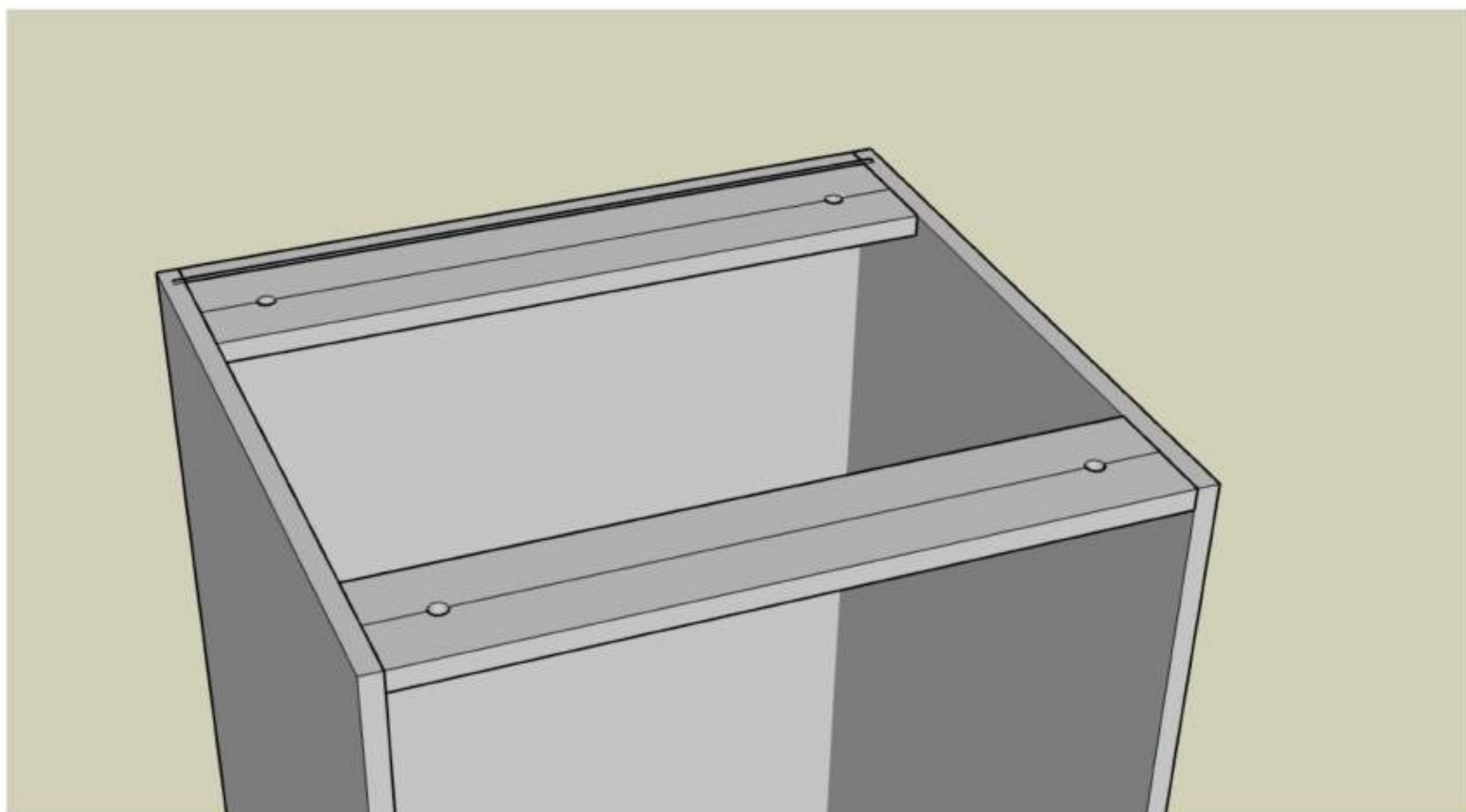
01 STEP-BY-STEP INSTALLATION

Preparation:

- **Upon Delivery:** Check which countertops go where on your plans and verify their dimensions and the condition of the countertops.
- **Ensure Structural Support:** Verify that the cabinet base or intended support structure can support the countertop's weight. Reinforce if necessary.
- **Acclimate the Countertop:** Allow the wooden countertop to acclimate to the room's humidity and temperature for at least 48 hours before installation to prevent warping.
- **Level the Cabinet Base:** Use a spirit level to check for evenness. Apply shims to correct any uneven areas.
- **Clean Surfaces:** Remove dust and debris from both the cabinet base and the underside of the countertop to ensure proper adhesion and fit.

Pro Tip: Proper preparation prevents future issues such as misalignment or structural weakness.





02 STEP-BY-STEP INSTALLATION

Mark and Bore Holes

- **Determine Fastener Locations:** Identify points on the cabinet's stretchers where fasteners will be placed, ensuring even distribution.
- **Mark Drilling Points:** Use a pencil to mark these locations accurately.
- **Drill Oversized Holes:** Create holes that are 5 mm larger than the fastener diameter to allow for wood expansion and contraction.

Spacing Guidelines

- **Fastener Placement:** Install fasteners every 500 mm along the countertop's length in both the front and back of the carcasses.
- **Corner Installations:** For L-shaped or corner countertops, place additional fasteners within 100 mm of each joint.

Pro Tip: Oversized holes accommodate natural wood movement, preventing stress and potential cracking.





03 STEP-BY-STEP INSTALLATION

Assemble Jointed Pieces (If Applicable)

- **Apply Flexible Caulk:** Add a bead of caulk to the inside of joints to seal and prevent hidden water damage.
- **Insert Wood Biscuits:** Place Biscuits into the mortises milled along the joined edges.
- **Join Pieces Together:** Align and bring the pieces together carefully.
- **Secure with Panel Connectors:** Slide Panel Connectors into the channels beneath the pieces and tighten until snug.
- **Remove Excess Caulk:** Clean any caulk that oozes out from the joints.

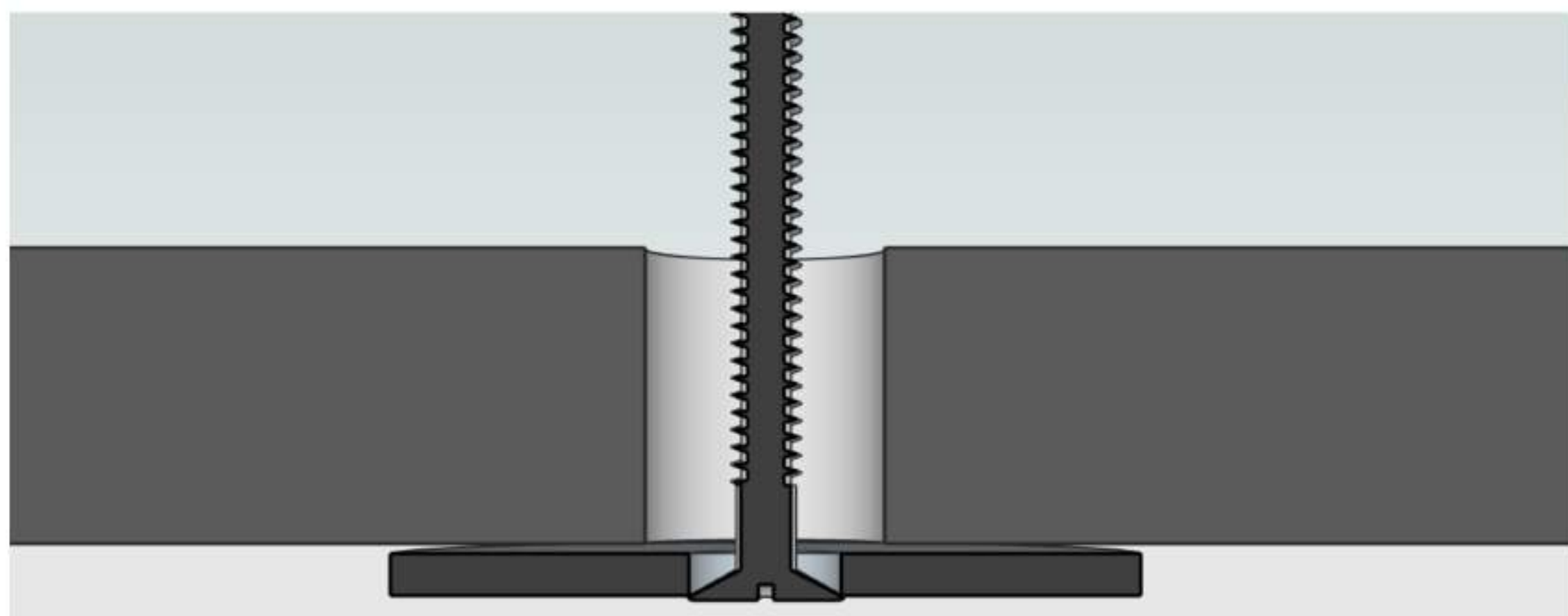
Pro Tip: Proper joint assembly ensures a seamless and durable countertop surface.

Position the Countertops

- **Place the Countertop:** Set the countertop onto the cabinet base, ensuring it aligns with the walls and overhangs as desired.
- **Check Alignment:** Ensure the countertop is centered and properly oriented.

Pro Tip: Having an assistant can facilitate precise placement, especially for larger countertops.





04 STEP-BY-STEP INSTALLATION

Secure the Countertop

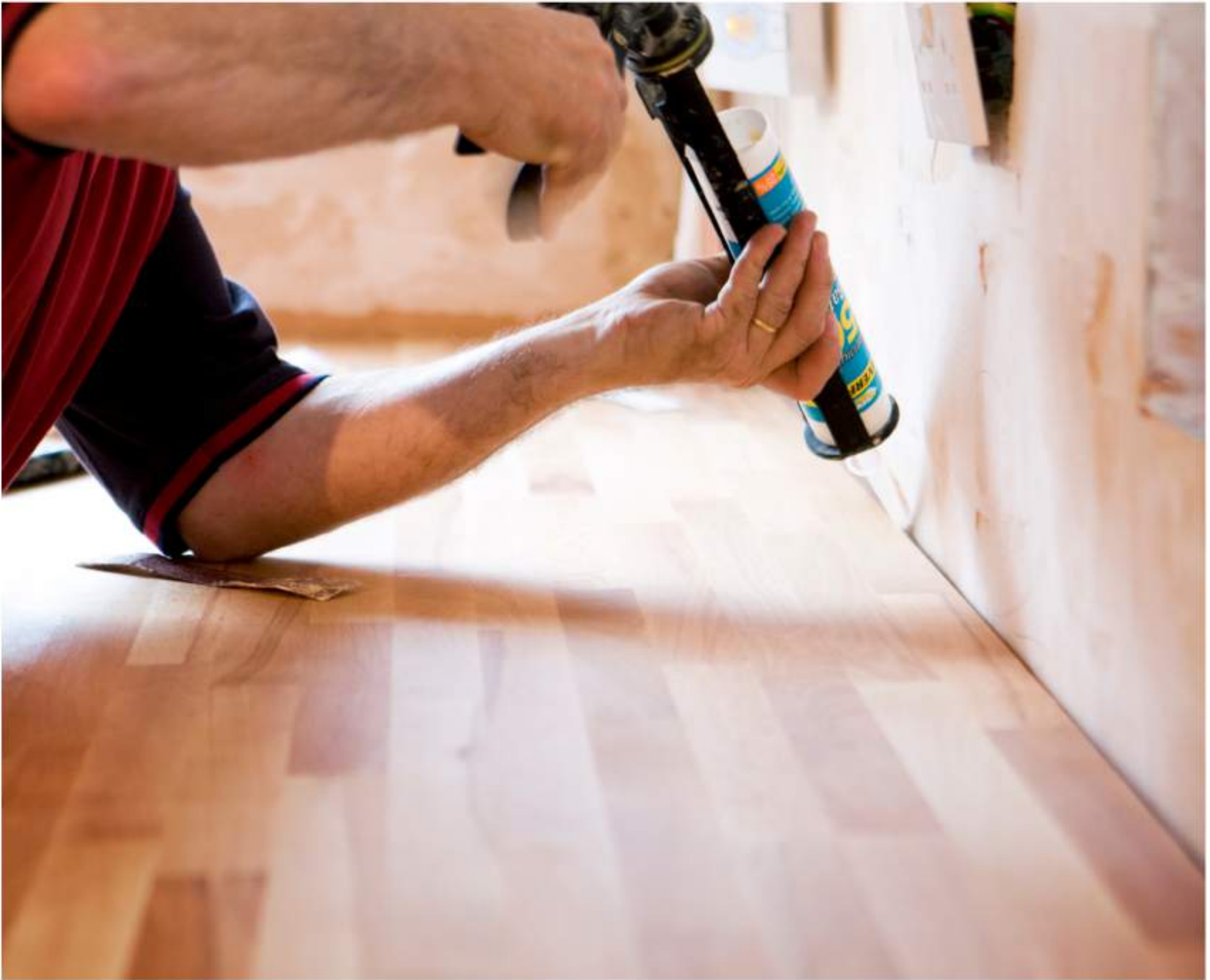
- **Insert Fasteners:** With fender washers in place, insert fasteners through the pre-drilled holes into the countertop, maintaining a penetration depth of 20-25 mm.
- **Tighten Fasteners:** Use a screwdriver or impact driver to tighten fasteners evenly, avoiding over-tightening to prevent damage.

Pro Tip: Evenly spaced fasteners ensure the countertop is securely attached without causing stress points.

Inspect and Adjust

- **Verify Levelness:** Use a spirit level to confirm the countertop is even.
- **Make Necessary Adjustments:** Loosen or tighten fasteners and adjust shims as needed to achieve a level surface.

Pro Tip: A level countertop is crucial for both aesthetics and functionality, ensuring appliances and items rest properly.



05 STEP-BY-STEP INSTALLATION

Seal and Finish

- **Apply Silicone Sealant:** Use a silicone gun to apply mould-resistant sealant along seams and where the countertop meets walls or backsplashes.
- **Smooth the Sealant:** Even out the sealant bead for a clean finish.
- **Sand Rough Areas:** Lightly sand any rough edges or surfaces with fine-grit sandpaper.
- **Apply Wood Finish:** Treat the countertop surface with food-safe mineral oil or an appropriate wood finish to protect and enhance its appearance.

Pro Tip: Sealing prevents water ingress, which can cause swelling or damage over time. Oiling the surface enhances the natural beauty of the material and offers added durability.





WARRANTY REQUIREMENTS

To maintain your warranty:

1. Store the countertops laying flat only in their cellophane wrapping in the room that they will be installed in, raised up off of the floor with a few pieces of wood evenly spaced across their length to fully support the countertop while allowing for airflow.
2. Acclimatise the countertop to the room it will be installed in for at least 48 hours before installation.
3. Install the countertop within 1 week of delivery.
4. Follow all installation steps exactly.
5. Use flat washers with suitable fasteners.
6. Ensure boreholes in the stretchers are 5 mm larger than the fastener diameter following the spacing guidelines exactly.
7. Do not exceed a fastener penetration depth of 25 mm.
8. Follow the Maintenance and care guidelines exactly.

For additional questions or concerns, contact our support team at +2761-153-9495 or email us at minimaalenmooi@gmail.com

